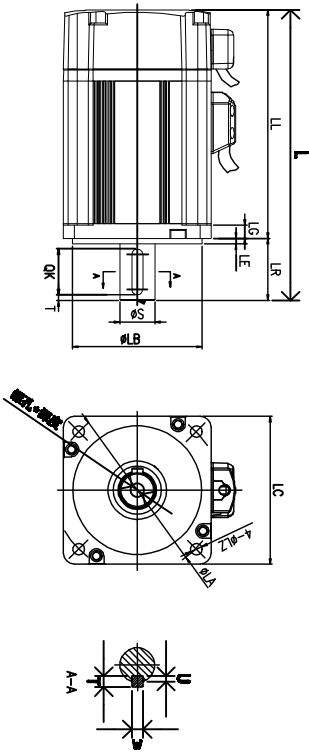
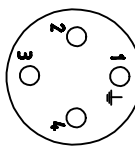


A DIMENSIONS unit=mm



MOTOR CONNECTIONS



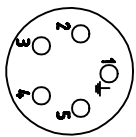
PIN No.	DESCRIPTION	COLOR (颜色)
PIN1	PE	YEL/GREY(黄/绿)
PIN2	U	RED(红)
PIN3	V	BLACK(黑)
PIN4	W	WHITE(白)

C COMMON RATINGS

MODEL(型号)	L	LL	Flange Size(法兰面尺寸)						S	Screw Hole&Depth	Key Groove Size			MW	MH	Weight(重量)
			LR	LE	LG	LC	LA	LB			LZ	OK	U			
80JASM507230K-17Z	157.5	124	33.5	3	7.2	80	φ90	φ70	φ6.5	19	M5*15L	25	3.5	6	6	

SPECIFICATION

MODEL(型号)	Rated output	Rated torque	Max torque	Rated speed	Rated current	Drive voltage	Rotor Inertia	Torque coefficient	Constant voltage
80JASM507230K-17Z	0.75KW	2.39Nm	7.17Nm	3000rpm	4.9A	220V	1.140×10^{-4}		



Encoder pin definitions

PIN No.	DESCRIPTION	COLOR (颜色)
PIN1	SHIELD	SHIELDED(屏蔽)
PIN2	T+	BLUE(蓝)
PIN3	T-	PURPLE(紫)
PIN4	VCC	WHITE(白)
PIN5	GND	BLACK(黑)

E

MODEL(型号)	Electrical time constant	Line resistance	Line inductance	Line back EMF constant	Pole-pairs	Encode resolution	Insulation class	Protection class
80JASM507230K-17Z					5	17Z	F	Ip65

F

REV:	版本记录	REVISION RECORD	DATE	NAMES	SIGNATURE	DATE	NO:	SCALE	SHEET
A	第一版本	The first version		设计 Design			SV0704017	1:1	1 OF 1

80JASM507230K-17Z

Shenzhen Just Motion Control
Electromechanics Co., Ltd
www.jmc-motion.com

F