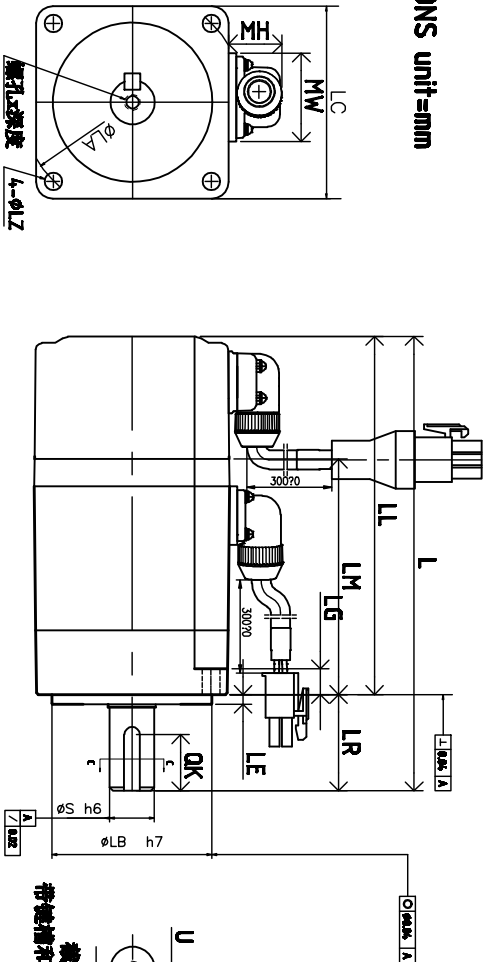
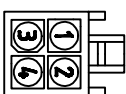


A DIMENSIONS unit=mm



MOTOR CONNECTIONS



PIN No.	DESCRIPTION	COLOR (颜色)
PIN1	U	RED(红)
PIN2	V	BLACK(黑)
PIN3	W	WHITE(白)
PIN4	PE	YEL./GREY(黄/绿)

COMMON RATINGS

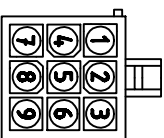
MODEL(型号)	L	LL	LM	Flange Size(法兰面尺寸)				S	Screw Hole&Depth	Key Groove Size			MW	MH	Weight (kg)			
				LR	LE	LG	LC			LA	LB	LZ				OK	U	W
60JASMS02230K-20B	142	112	73.6	30	3	8	60	φ70	φ50	φ5.5	14	17.5	3	5	5	27.6	16.5	1.7
60JASMS04230K-20B	170	140	101.6	30	3	8	60	φ70	φ50	φ5.5	14	17.5	3	5	5	27.6	16.5	2.2

SPECIFICATION

MODEL(型号)	Rated output	Rated torque	Max torque	Rated speed	Rated current	Drive voltage	Rotor inertia	Torque coefficient	Constant voltage
60JASMS02230K-20B	0.2kW	0.64Nm	2.3Nm	3000rpm	1.38A	220V	0.254*10 ⁻⁴	0.58Nm/A	32V/1000r/min
60JASMS04230K-20B	0.4kW	1.27Nm	4.45Nm	3000rpm	2.8A	220V	0.407*10 ⁻⁴	0.55Nm/A	27V/1000r/min

MODEL(型号)	Electrical time constant	Line resistance	Line inductance	Line back EMF constant	Pole-pairs	Encode resolution	Insulation class	Protection class
60JASMS02230K-20B	5.3ms	8.8Ω	4.6mH	32V/krpm	5	20Bit	F	Ip65
60JASMS04230K-20B	7.2ms	2.94Ω	21.2mH	29.8V/krpm	5	20Bit	F	Ip65

Encoder pin definitions



PIN No.	DESCRIPTION	COLOR (颜色)
PIN1	T+	BLUE(蓝)
PIN2	NC	
PIN3	NC	
PIN4	T-	PURPLE(紫)
PIN5	NC	
PIN6	NC	
PIN7	VCC	WHITE(白)
PIN8	GND	BLACK(黑)
PIN9	SHIELD	SHIELDED(屏蔽)

60JASMS(x)x)230K-20B

Shenzhen Just Motion Control
Electromechanics Co., Ltd
www.jmc-motion.com

REV:	版本记录	REVISION RECORD	DATE	NAMES	SIGNATURE	DATE	NO: 0704003	SCALE 1:1	SHEET 1 OF 1
A	第一版本	The first version		设计 Design					
B				审核 Check					
C				工艺 Technology					
D				标准化 Standard					
E				批准 Approve					